



Testing and Rental Services

TESTING

- K1 - K5 mixers available
- Proof of concept/prototyping
- Mix Design Optimization

TOLL PROCESSING

- K3 - K5 mixers available
- Quick turnaround on production materials
- Produce commercial materials in our facility and ship to meet your needs

RENTALS

- K1 – K5 mixers available
- Try our mixers at your facility before you buy
- Mixers available for immediate need



TESTING SERVICES

Lancaster Products is dedicated to process and mix design optimization and offers proof of concept to production scale testing in our on-site test lab facilities.

Proof of concept testing begins with small batch testing in a K-1 Lab Mixer and is often followed by testing on a production sized mixer (K4 or larger) to simulate the field production environment.

Lancaster Products guarantees, for proof of concept K1, that if we don't produce satisfactory results testing will be at no charge.

*Within an acceptable range of size, yield, homogeneity or hardness from a predefined criteria set prior to testing

LAB AND RENTAL EQUIPMENT**

- MIXERS — K1 K3 K4 K5
- ROTARY TABLE FEEDERS
- SMALL ROLL CRUSHERS

1.800.447.7351

outside U.S. 717.273.2111

Fax: 717.273.2967

email: info@lancasterproducts.com

www.lancasterproducts.com

**availability of equipment may vary

Flexible options to test, run small batches, and develop proof of concept results.

TOLL PROCESSING

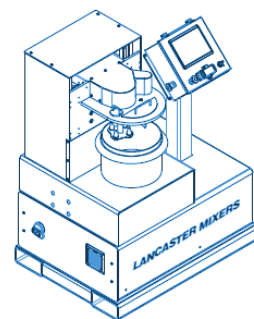
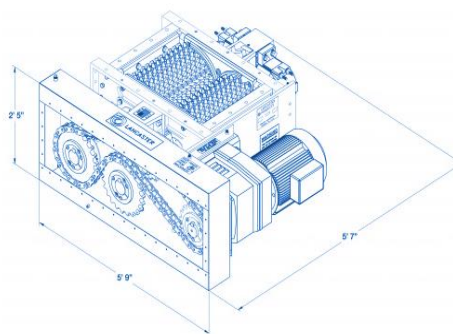
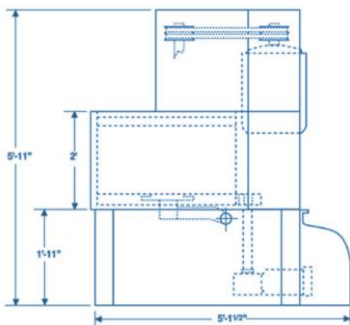
For customers who are not ready to make the capital investment in a production mixer or need product immediately, Lancaster Products offers toll processing services. We can produce significant amounts of blended, homogenized, granulated or pelletized materials in our facility to satisfy our customers' needs.

EQUIPMENT RENTALS

We also offer equipment rentals for testing or production. Customers can try equipment in their own facilities over a period of time so other factors related to the equipment itself such as footprint, size, location, electric and air, etc. can be evaluated as well. It is during these test runs that unanticipated issues are often identified and addressed, thus helping in both the proof of concept of the process itself as well as any equipment modifications that may be required to fit the needs of the application.

Lancaster Products offers a variety of equipment rental possibilities in a variety of sizes.

K1 (0.5 cu. ft. capacity) to K5 (24 cu. ft. capacity) high shear mixers are ready for use by any company looking to run sample processing on-site in their own facility. Contact us today for details.



920 Mechanic Street, Lebanon, PA 17046
800.447.7351
www.LancasterProducts.com